

CYLINDRIX III VERTICAL TRACK HEAD

LED INTERNATIONAL

I-C3TV
18W LED

APPLICATION:

Retail, supermarket and commercial accent & display lighting

CONSTRUCTION:

Die-cast aluminum heat sink and optic housing
Powder coat paint, available in over 200 finishes

ELECTRICAL:

Electronic constant current LED driver
220v - 240v input

This product complies with IEEE C62.41 for surge endurance up to 2.5KV. Amerlux recommends using additional surge protection with this unit (supplied by others), surge damage is not covered by warranty.

OPTICS:

LED cluster
Color Temp: 2700K (2725K ±175)
3000K (3045K ±175)
CRI: 85
Life: 50,000 hrs
Lumen Maintenance: >70% of initial lumens @ 50,000 hrs
Lumen output: 1000 lm typ. (est.)
0-90° tilt, 360° rotation
Beam options: Spot 12°, Flood 25°, Wide Flood 40°
Field interchangeable spun aluminum reflectors

MOUNTING:

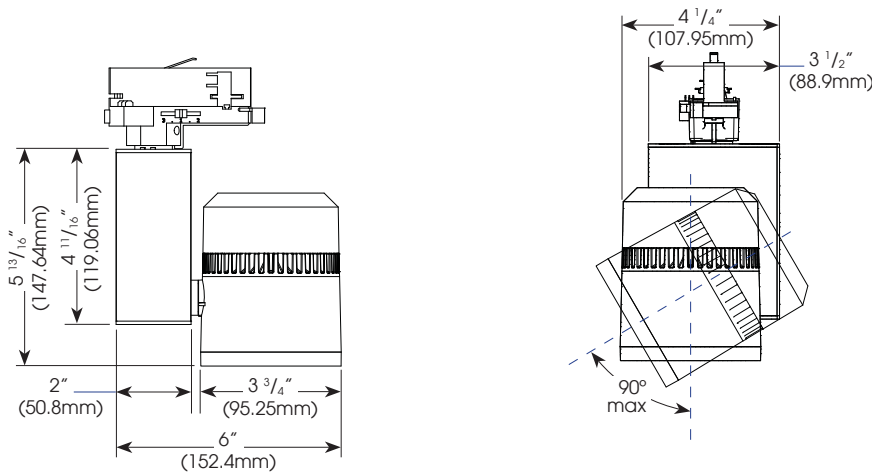
Track and canopy

LABELING:

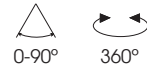


PROJECT:

TYPE:




Electrostatic sensitive device,
observe precautions for
handling



ELECTRICAL

Driver	Operating Watts*	Amps
Electronic 240v	18	.08

Class 2 constant current driver, 1670 mA

10 year limited warranty
AMERLUX LED
(see website for details)

ORDERING INFORMATION:

Model	Wattage	Lamp Type	Driver	Finish	Mounting	Voltage	Beam Spread	Color Temp	Listing Code	Options/Accessories
I-C3TV	18	LED	E - electronic	WT - white texture BT - black texture ST - silver texture - (other RAL)	GB67 - Global 1 cir GA100 - Global 3 cir C - canopy	220-240	CL - spot, 12° FL - flood, 25° WF - wide flood, 40° SL - linear spread lens	2700 3000	CE	SN - snoot HEX - hexcell louver CB - cross blade

Example: I-C3TV-18-LED-E-WT-GA100-220-240-FL-3000-CE

Cat #:

Amerlux reserves the right to change details that do not affect overall function and performance.



CYLINDRIX III VERTICAL TRACK HEAD

LED INTERNATIONAL

I-C3TV
18W LED



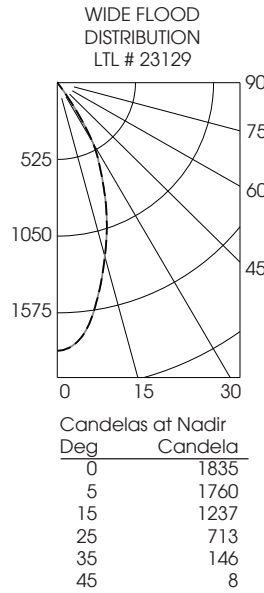
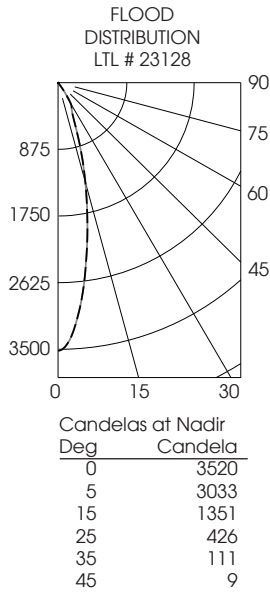
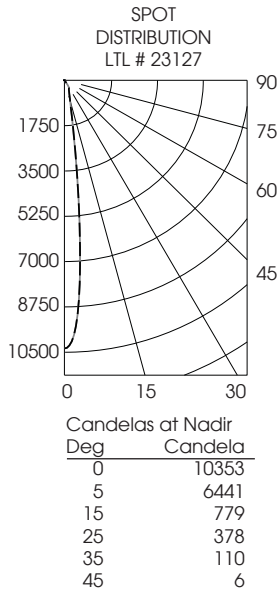
TYPE:



FIXTURE DATA:

Complete photometric data (ies format) available upon request.

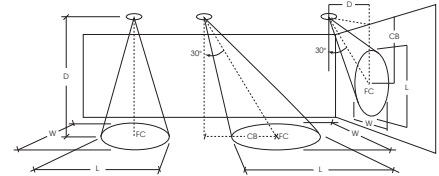
18W LED



APPLICATION DATA:

Notes and Definitions:

Beam spread is to 50% center beam candlepower (CBCP).
 D=Distance to floor or wall.
 FC=Footcandles on floor or wall at center beam aiming location.
 L=Effective Visual Beam length in feet (50% of maximum footcandle level).
 W=Effective Visual Beam width in feet (50% of maximum footcandle level).
 CB=Distance across or down to center beam location.



	0° Aiming Angle Horizontal Footcandles				30° Aiming Angle Horizontal Footcandles					30° Aiming Angle Vertical Footcandles					60° Aiming Angle Vertical Footcandles				
	D	FC	L	W	D	FC	L	W	CB	D	FC	L	W	CB	D	FC	L	W	CB
SPOT	5.0'	414	0.8	0.8	5.0'	258	1.0	0.8	2.1	3.0'	163	1.5	0.8	3.3	3.0'	741	0.6	0.5	1.2
	7.5'	184	1.0	1.0	7.5'	121	1.5	1.1	3.5	4.0'	92	2.0	1.1	4.3	4.0'	426	0.8	0.6	1.6
	10.0'	104	1.5	1.5	10.0'	64	2.0	1.8	4.2	5.0'	59	2.5	1.3	5.4	5.0'	274	1.0	0.8	2.0
	12.5'	67	1.9	1.9	12.5'	44	2.4	2.2	4.9	6.0'	41	3.0	1.6	6.5	6.0'	190	1.1	1.1	2.3
FLOOD	5.0'	141	1.5	1.5	5.0'	88	2.0	1.8	2.1	3.0'	64	2.5	1.6	2.6	3.0'	252	1.2	1.1	1.2
	7.5'	62	2.2	2.2	7.5'	42	2.8	2.5	2.8	4.0'	36	3.4	2.0	3.7	4.0'	145	1.5	1.3	1.6
	10.0'	35	2.9	2.9	10.0'	23	3.7	3.4	3.5	5.0'	24	4.2	2.6	4.8	5.0'	94	1.9	1.7	1.9
	12.5'	22	3.6	3.6	12.5'	15	4.7	4.1	4.9	6.0'	16	5.0	3.2	5.4	6.0'	66	2.2	2.0	2.2
WIDE FLOOD	5.0'	74	2.3	2.3	5.0'	52	2.8	2.5	1.4	3.0'	49	2.3	2.1	1.9	3.0'	146	1.7	1.5	0.9
	7.5'	33	3.5	3.5	7.5'	23	4.2	3.4	2.1	4.0'	27	3.5	2.8	2.6	4.0'	82	2.2	2.0	1.3
	10.0'	18	4.6	4.6	10.0'	13	5.5	5.1	2.8	5.0'	18	4.3	3.5	3.4	5.0'	53	2.7	2.5	1.6
	12.5'	12	5.7	5.7	12.5'	8	6.9	6.4	3.5	6.0'	13	5.3	4.2	3.6	6.0'	36	3.3	3.1	2.0